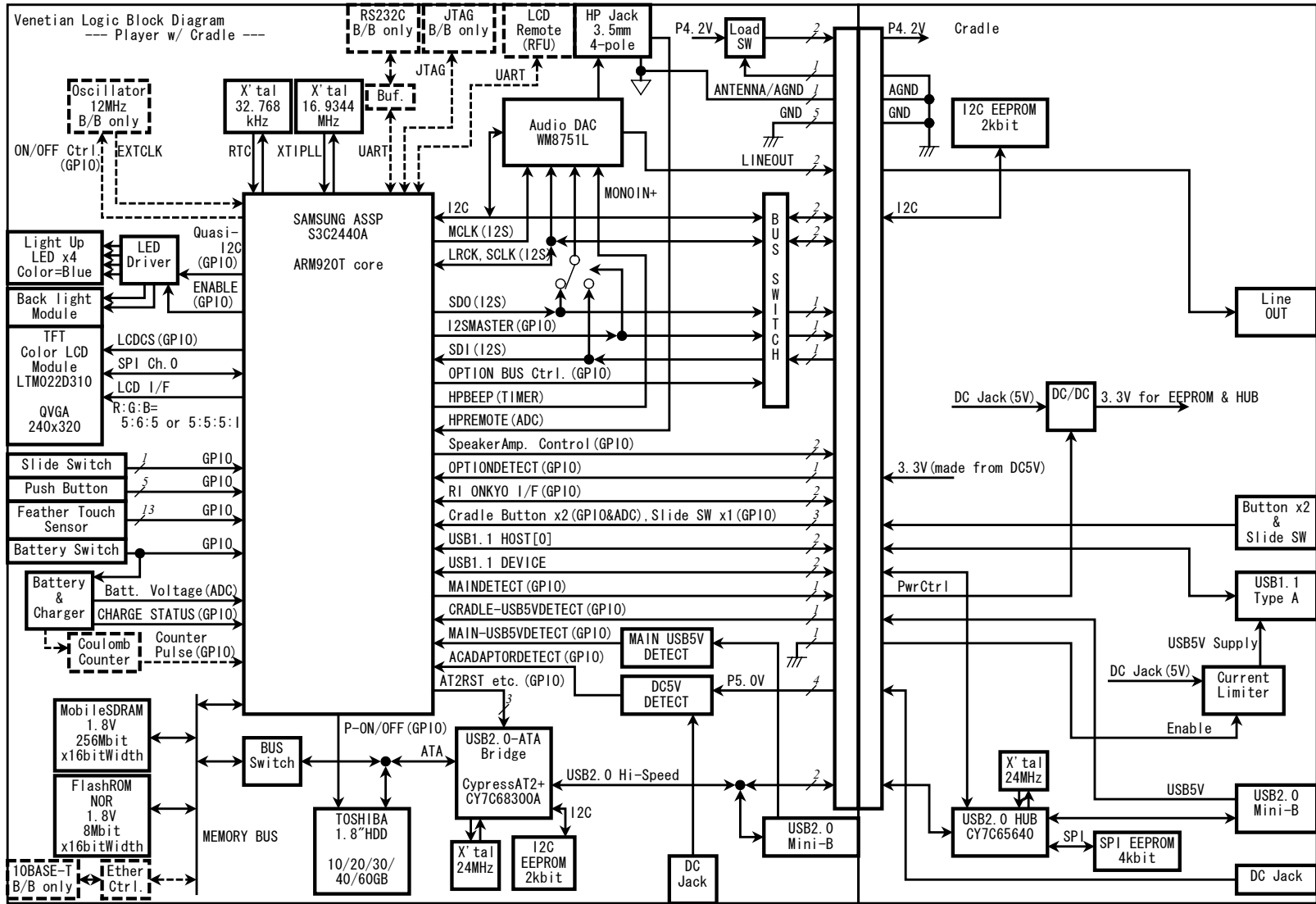


2. Block diagram

2.1. Logic circuit block diagram



2.2. Power circuit block diagram

