

CUSTOMER :

MODEL NAME :

MODEL NO :

NO :

DATE :

SPECIFICATION

PART NAME : FM MODULE

PART NO : DA-202

APPROVAL	
REFERENCE NO	

PLEASE RETURN ONE COPY FROM () SETS
WITH YOUR AUTHORIZED SIGNATURE AFTER
COMPLETING YOUR APPROVALS

(株) D & A

Digital & Analog Corporation

#305 Kyungki Venture Bldg, 1017, Inkye-Dong, Paldal-Gu Suwon City, Kyungki-Do, Korea
E-mail : dnacorp@dnacorp.co.kr Tel : 82-31-234-4812 Fax : 82-31-234-4817

SPECIFICATION					PAGE	
FM STEREO TUNER MODULE : DA-202					1 OF 5	
1. Scope						
This specification applied to FM STEREO tuner Module.						
2. General specification						
NO	ITEM	SPEC	NOTE			
1	Frequency Range	87.5(76) - 108 MHz				
2	IF frequency	225 kHz				
3	RF input inpedance	40	Unbalance			
4	Suppy Veltage	3V				
5	Operating tamperture	- 10 -55				
6	Humidity	85% MAX				
7	Clock (X-TAL)	32.768kHz				
3. Ealectrical specification						
NO	ITEM	Test condition	SPEC			
			MIN	TYP	MAX	UNIT
1	Sensitivity (S/N 30dB)	90.0 MHz	-	6	12	dB μ V
		98.0 MHz	-	6	12	dB μ V
		106.0 MHz	-	6	12	dB μ V
2	S/N Ratio	40kHz, DEV	55	60	-	dB
3	Image rejection	87.5~108MHz	25	30	-	dB
4	Stereo separation	f 75kHz, fmod = 1kHz	25	30	-	dB
5	Audio output	f 22.5kHz, fmod = 1kHz		80		mV
6	T.H.D	f 22.5kHz, fmod = 1kHz		0.5	1.5	%
DATE						
15 OCT 2003		D & A CORPORATION	DESIGN	CHECK	APPROVAL	

SPECIFICATION

PAGE

FM STEREO TUNER MODULE : DA-202

2 OF 5

4. Standard test condition

NO	ITEM	MONO	STEREO
1	Modulation Frequency	1kHz, 22.5kHz/dev $V_{RF} = 1mV$	1kHz, 75kHz/dev including 10% pilot
2	Test Frequency	98MHz	
3	RF Input level	60dB μV	

5. DC Specification

ITEM	Test condition	SPEC			
		MIN	TYP	MAX	UNIT
Supply Voltage	ON Station	2.5	3.0	5	V
Supply Current	ON Station	8.5	10	13	mA
Supply Current	OFF Station		25		μA

6. Demensions

- 1) UNIT : 13(L) x 12(W) x 1.8(H) mm + 0.2 mm
- 2) Packing : 283(L) x 150(W) x 15(H) mm (200 PCS)
- 3) M/CARTON : 312(L) x 166(W) x 55(H) mm (1,000 PCS)

7. Marking : STAMP

202

DATE	D & A CORPORATION	DESIGN	CHECK	APPROVAL
15 OCT 2003				

SPECIFICATION

PAGE

FM STEREO TUNER MODULE : DA-202

3 OF 5

8. Electrical Interface

Terminal	NAME	Inter face	I/O	Description
1	GND	GND	-	
2	DATA	Digital	I/O	Bus data line Input/output.
3	CLK	Digital	I	Bus clock line Input.
4	READ/WRITE	Digital	I	Read/write control input
5	BUSMODE	Digital	I	Bus mode select input
6	BUSENABLE	Digital	I	Bus enable input
7	SW1	Digital	O	Software programmable port 1.
8	OUT-L	Analog	O	Lch. Audio output.
9	OUT-R	Analog	O	Rch. Audio output.
10	GND	GND	-	
11	VCC	Analog	I	3V VCC Input line.
12	ANT	Analog	I	RF Input line.

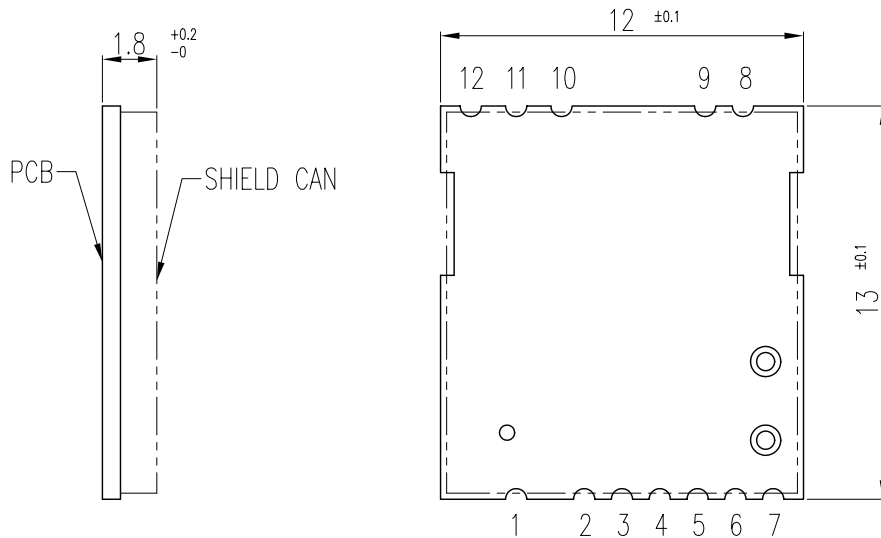
BUSMODE(5): GND --- IIC MODE

VCC --- 3 Wire serial interface bus MODE

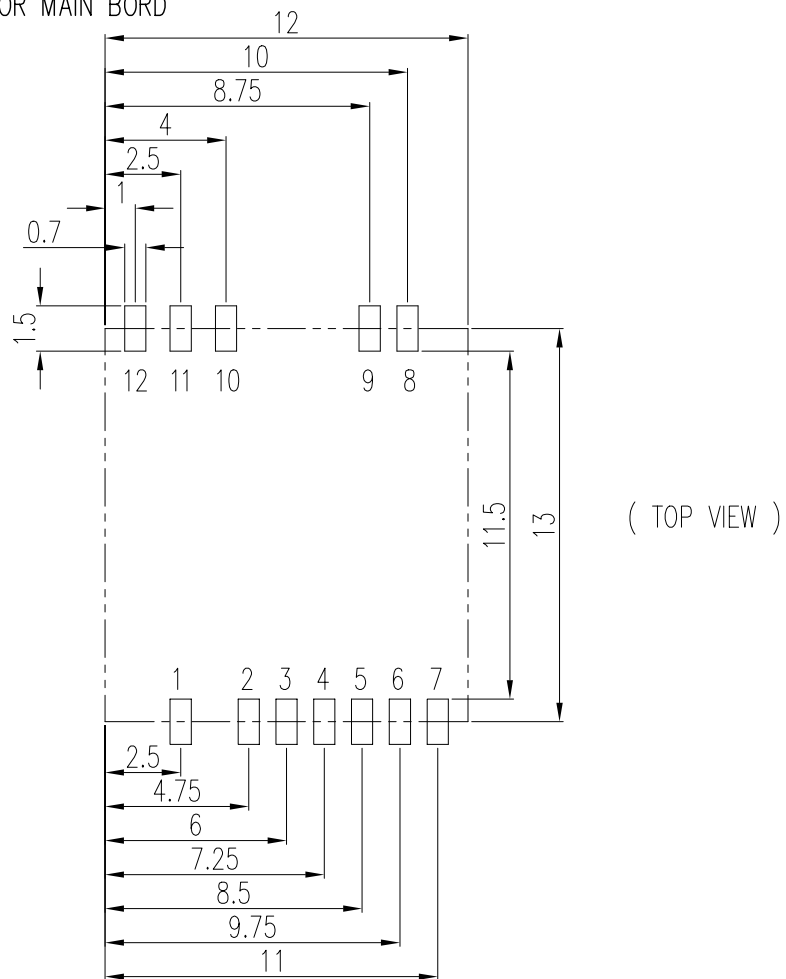
Need the PULL UP (47 kΩ) FOR DATA (2) line

DATE	D & A CORPORATION	DESIGN	CHECK	APPROVAL
15 OCT 2003				

9. OUT LINE SPECIFICATION



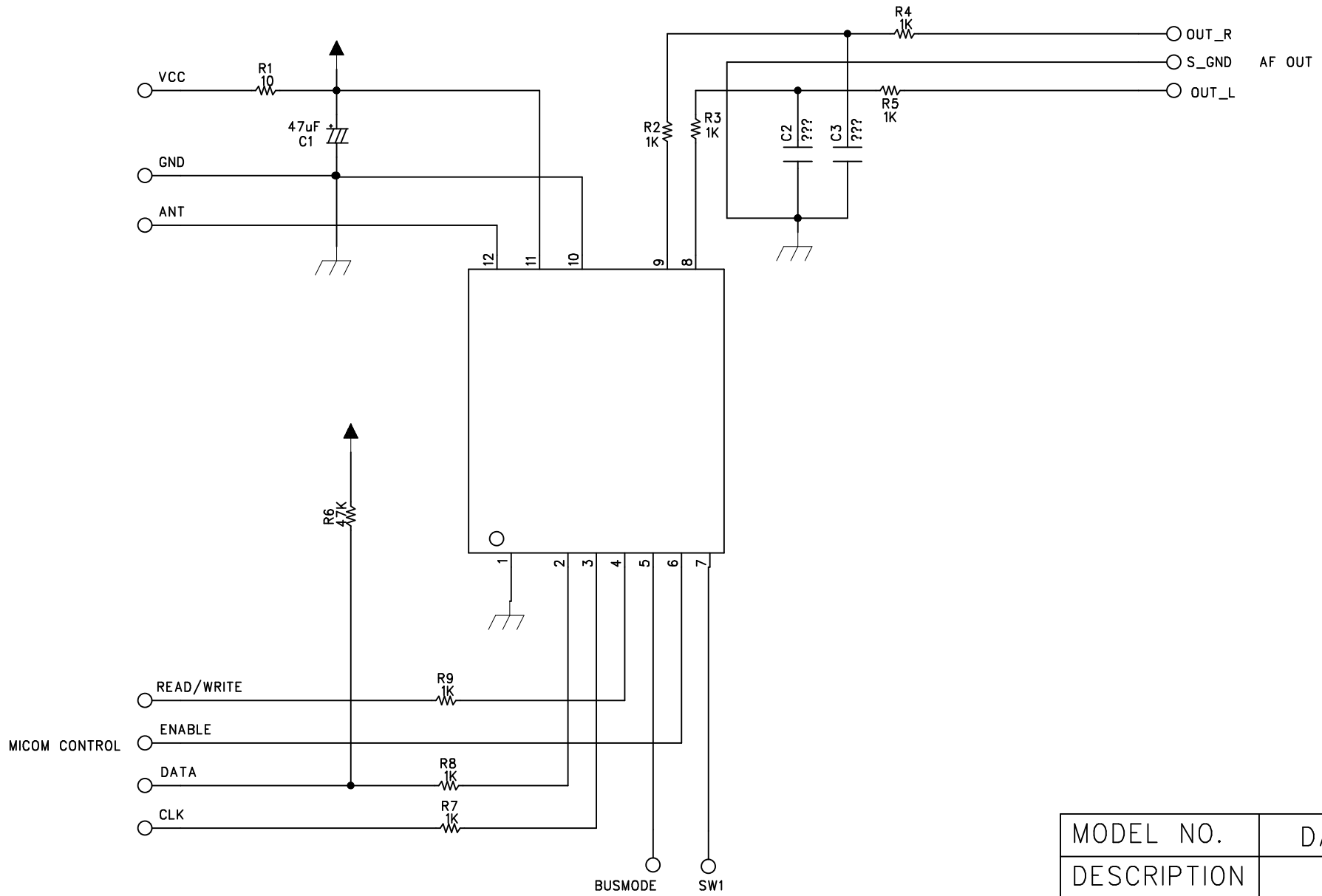
10. SOLDER LAND LAY OUT FOR MAIN BORD



- 1) GND
- 2) DATA (47 Kohm Pull Up)
- 3) CLK
- 4) Write/Read
- 5) Bus Mode
- 6) Bus Enable
- 7) SW1
- 8) Out-L
- 9) Out-R
- 10) GND
- 11) Vcc
- 12) ANT

(TOP VIEW)

DATE 2003.10.16	D&A CORPORATION	DESIGN	CHECK	APPROVAL
OUT LINE DRAWING				



MODEL NO.	DA-202
DESCRIPTION	
CUSTOMER	
DATE	15 OCT 2003