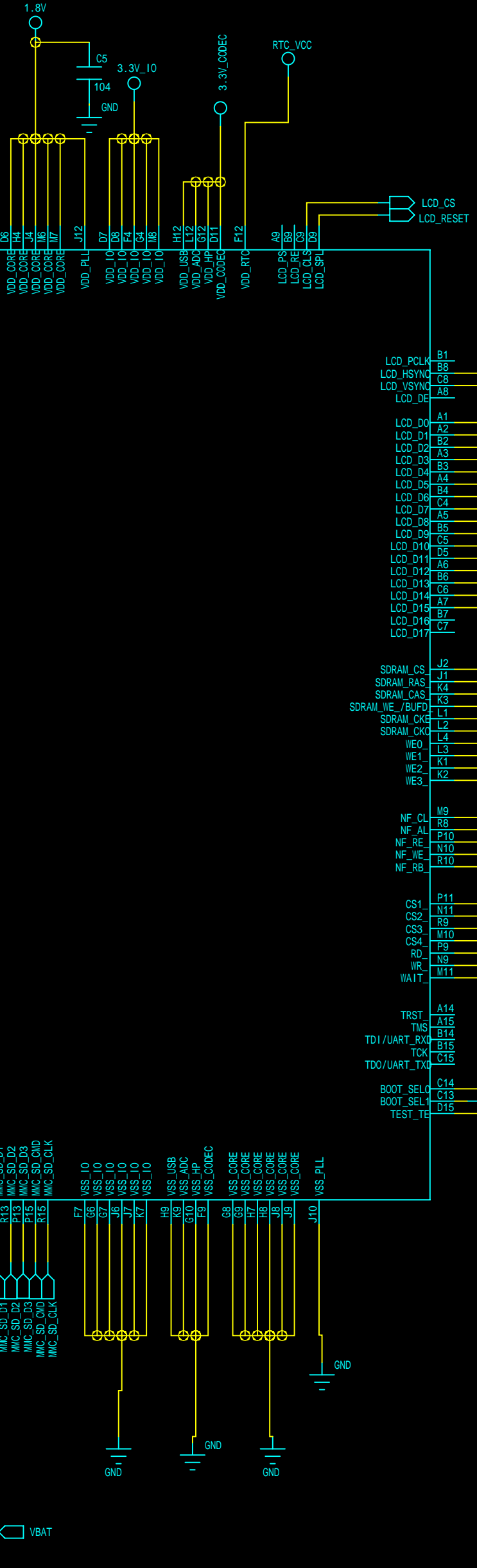
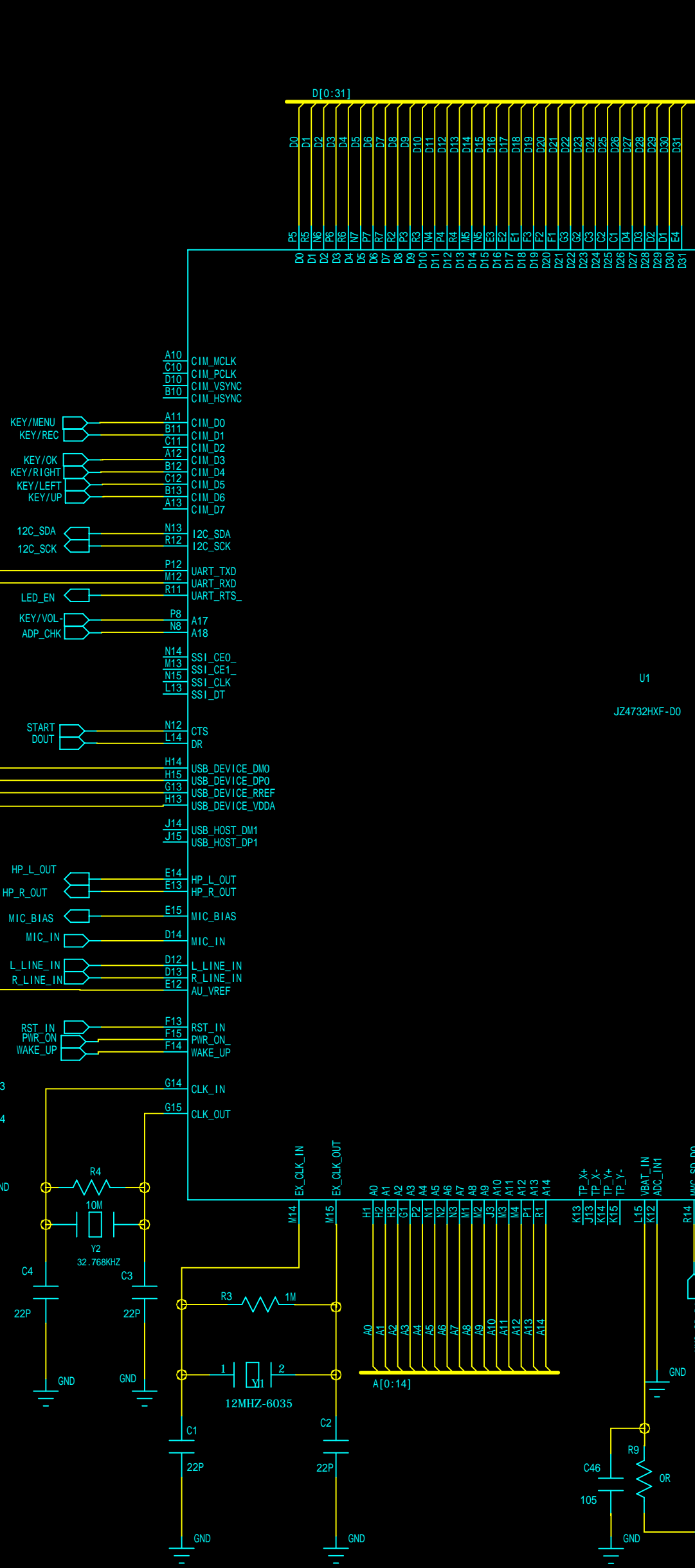
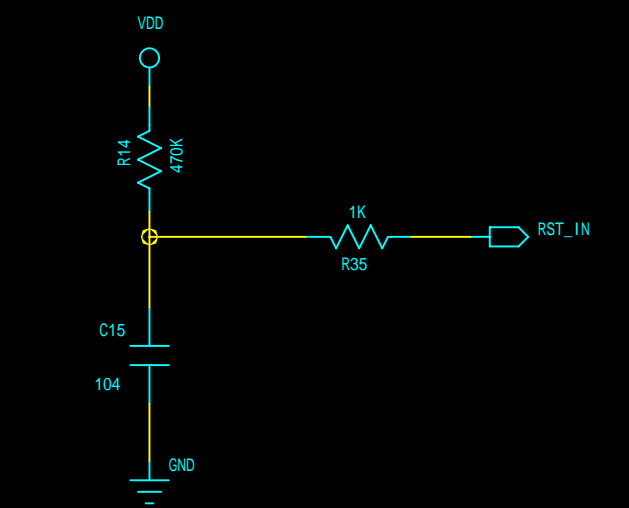
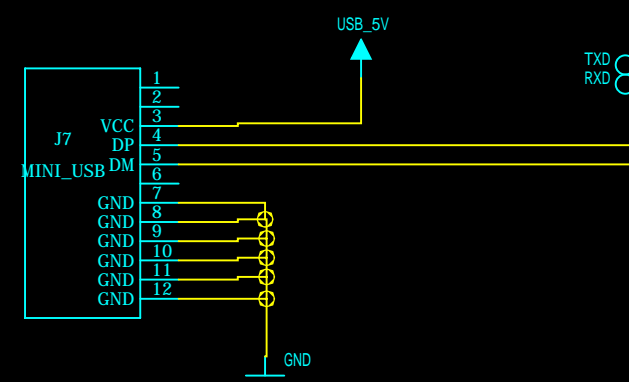
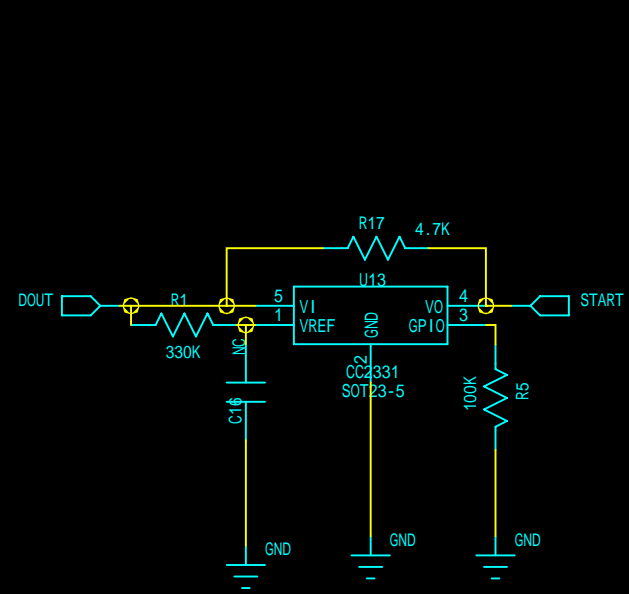
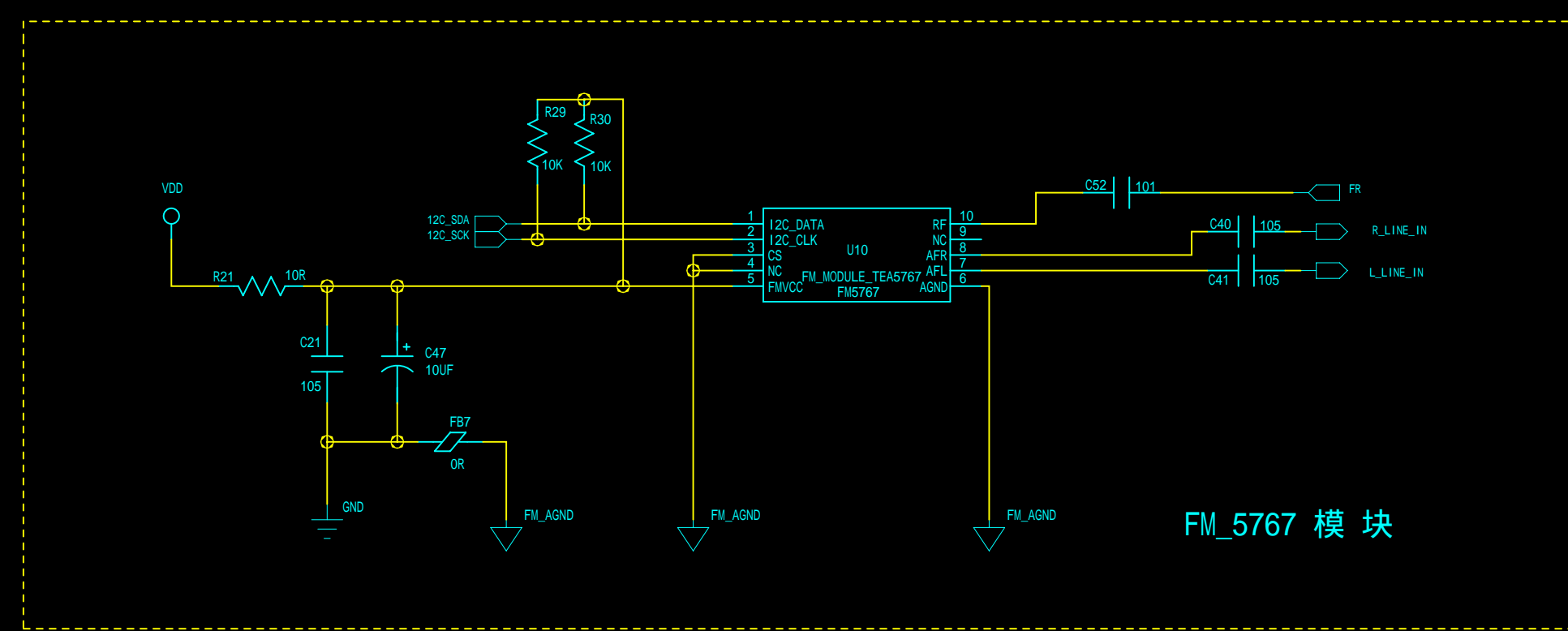
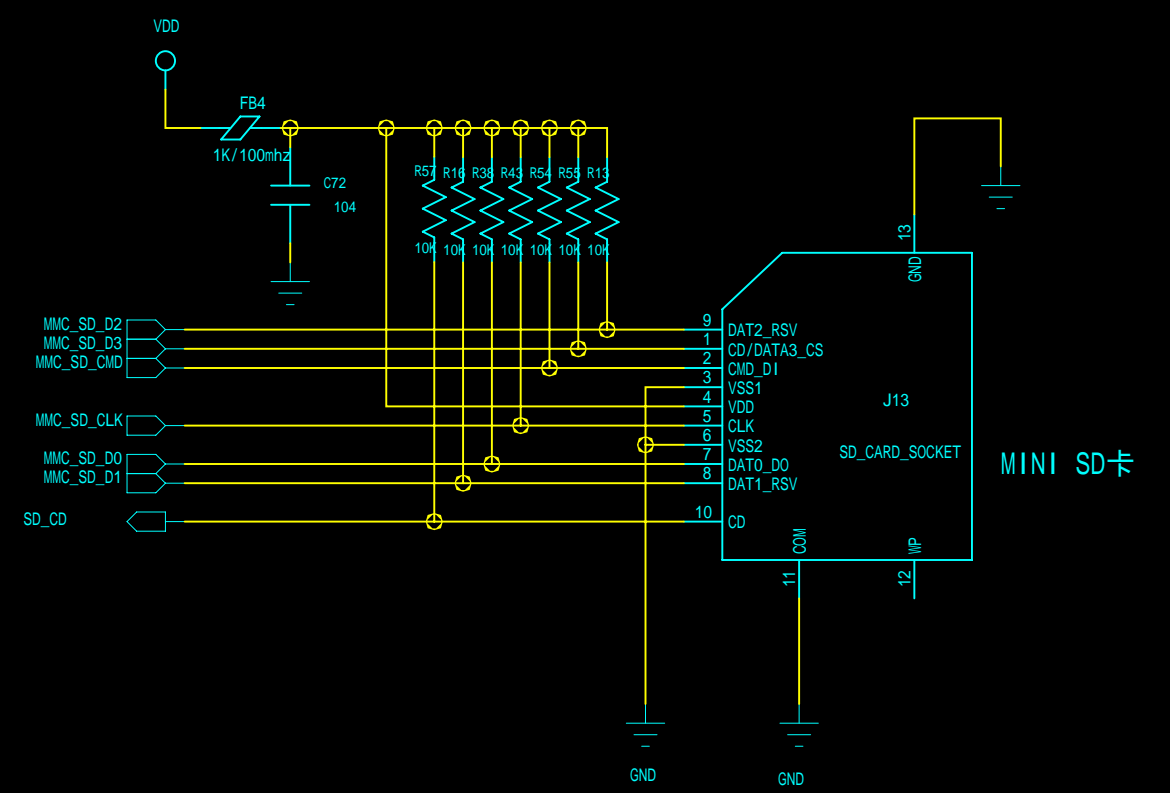
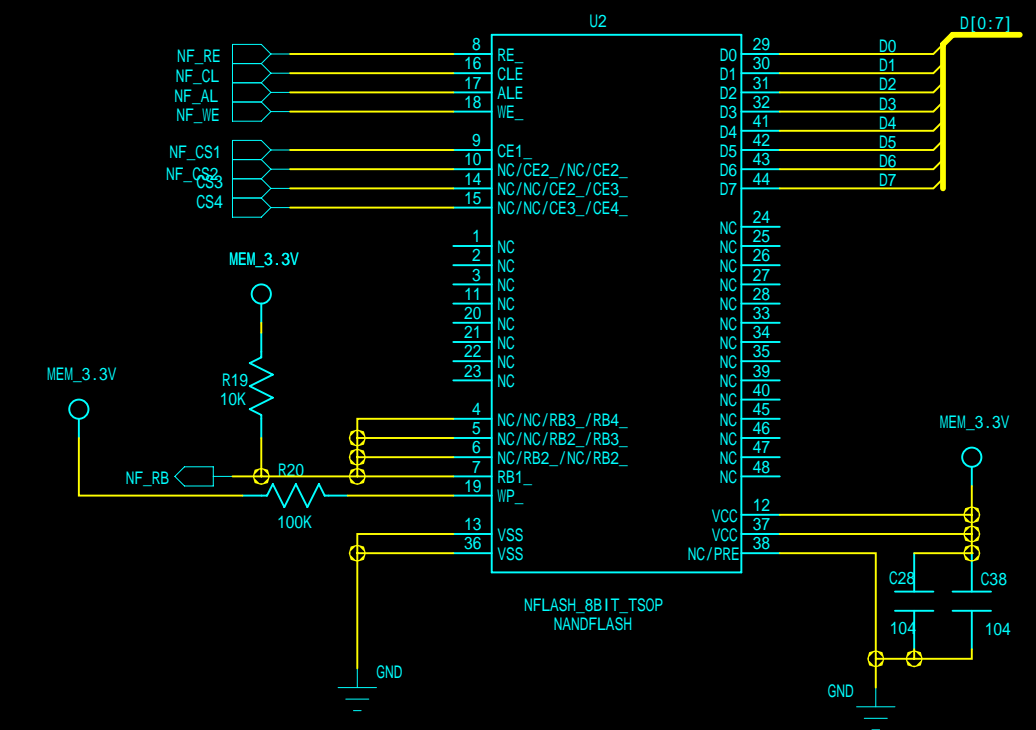
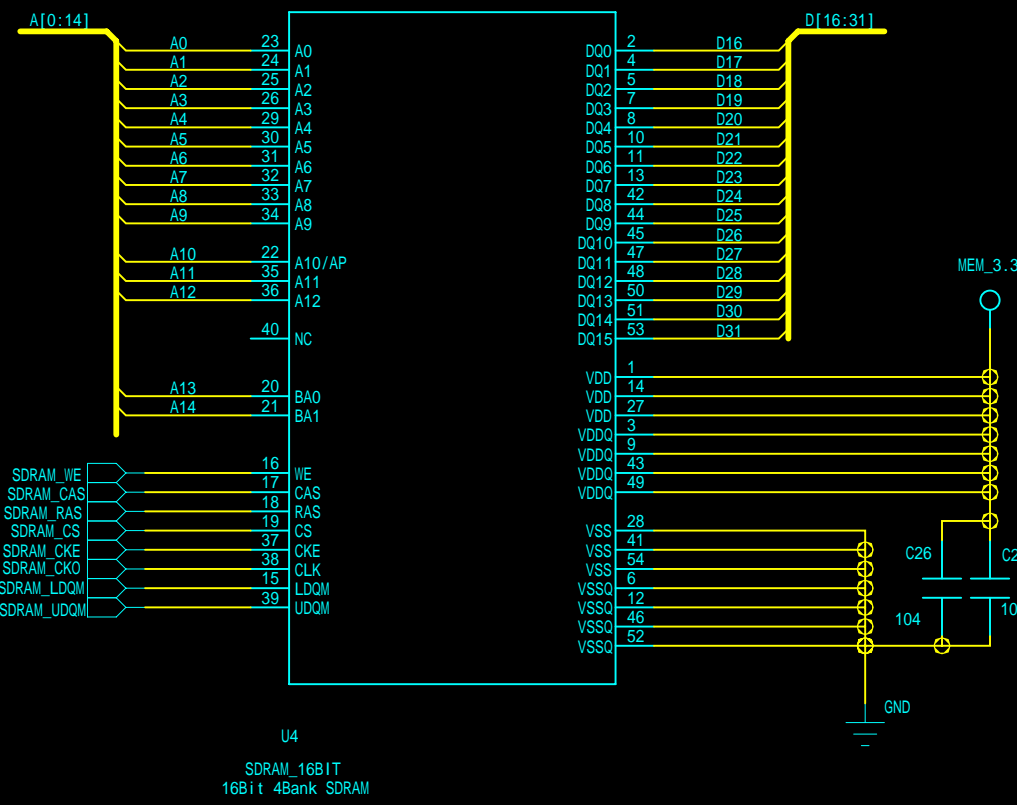
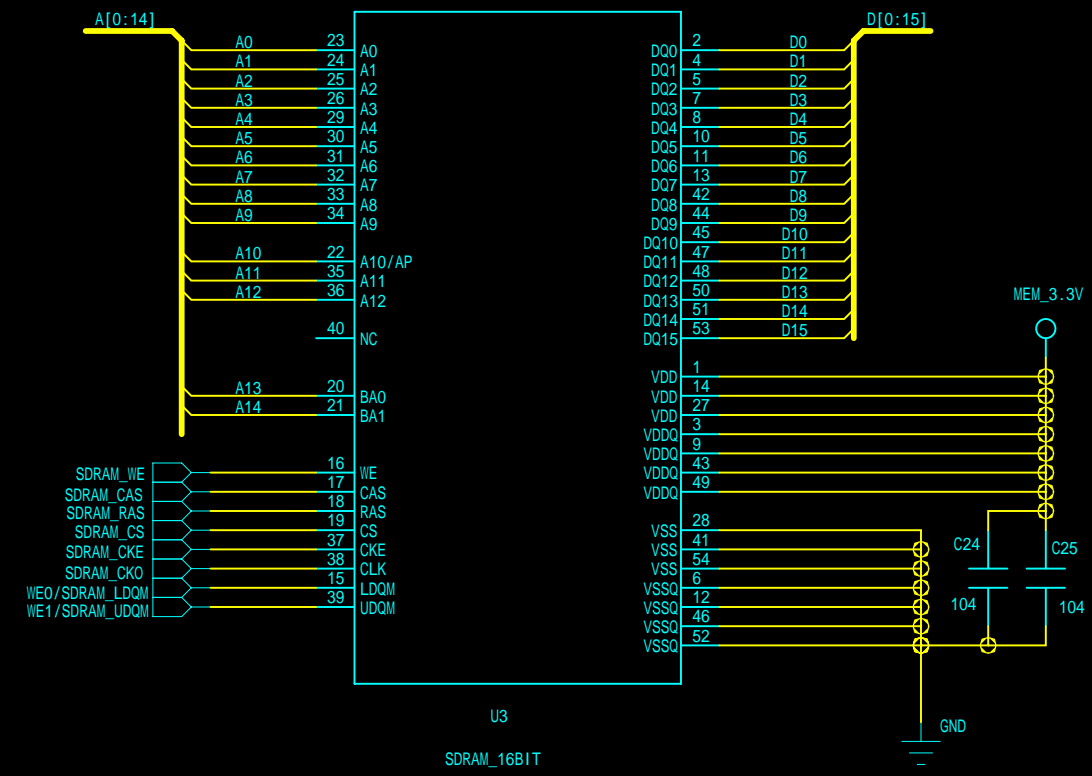


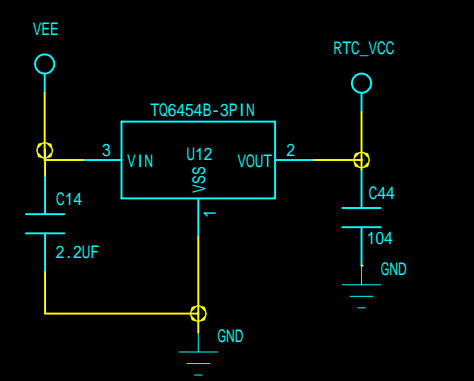
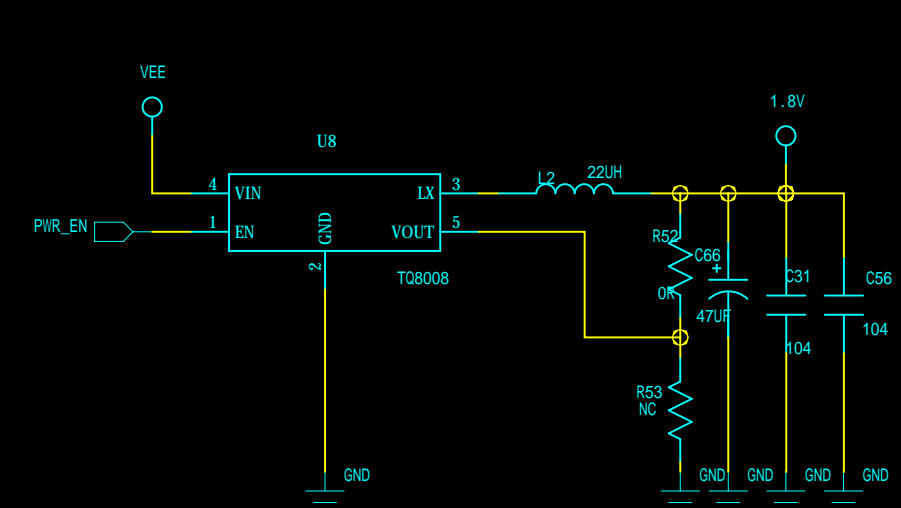
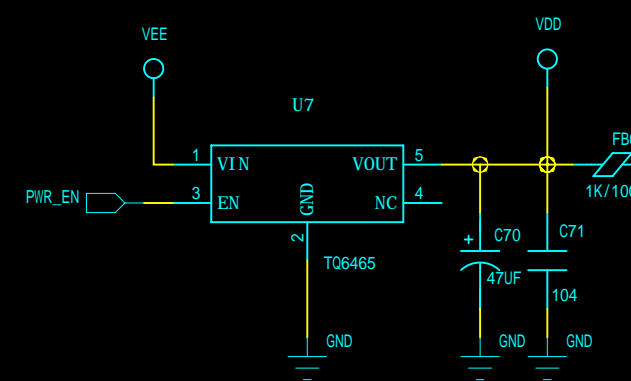
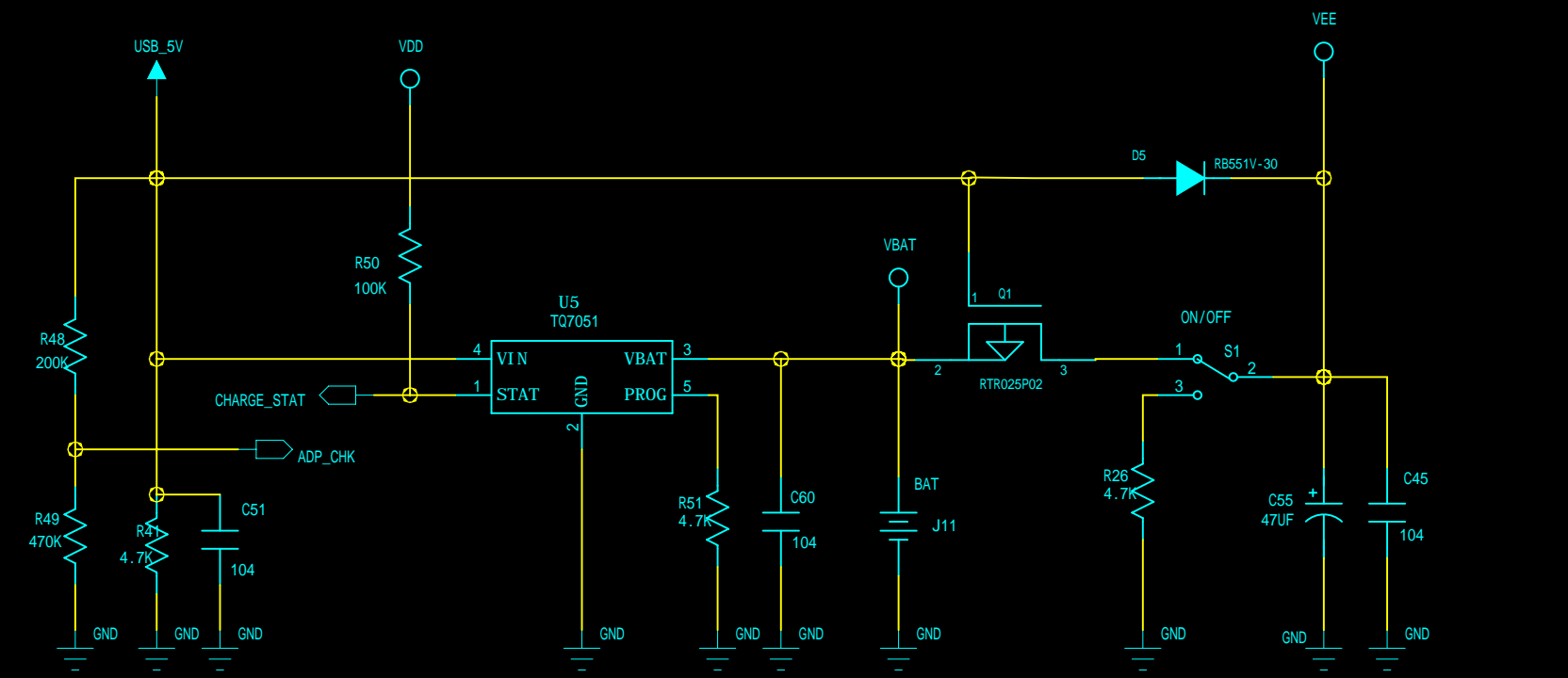
<b>CHINACHIP</b>		MODEL NO. H200	PROJ.CODE H200	DOC.TYPE PADS Logic.SCH
DESCRIPTION:				DOC.REV H200.V2.0
DOCUMENT NO:	H200-M-0 V2.0.sch			SIZE A2
CHINACHIP P/N:				SHEET 1/4
FILE NAME:	CHINACHIP H201			
DESIGNED BY:	DRAWN BY:	DESCRIPTION:	DESCRIPTION:	
DATE: 2007.10.25	DATE: 2007.10.25	DATE: 2007.10.27	DATE: 2007.10.27	

SHENZHEN CHINACHIP TECHNOLOGY LIMITED

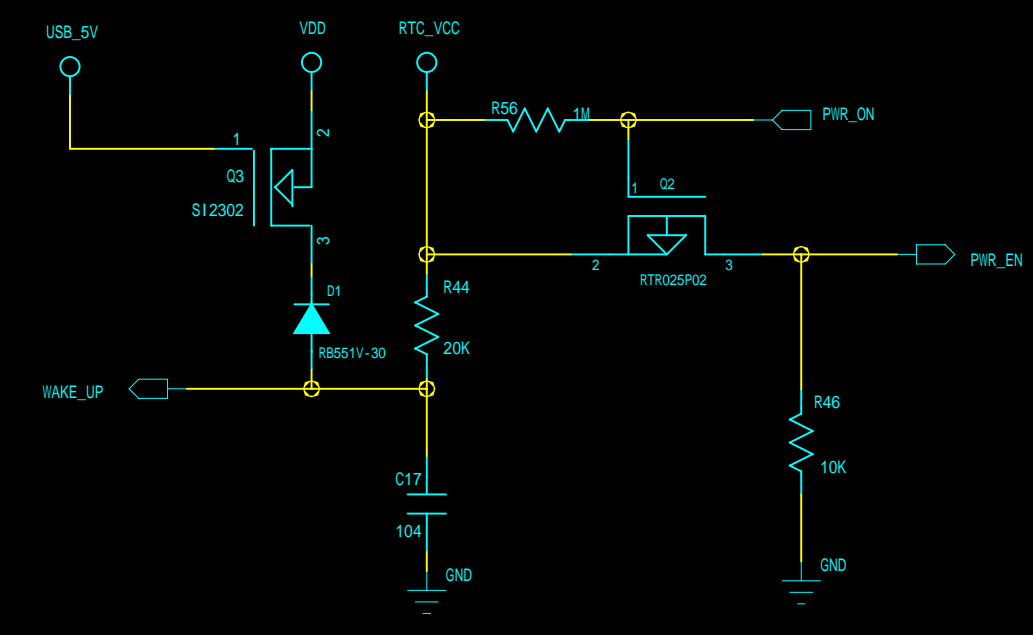
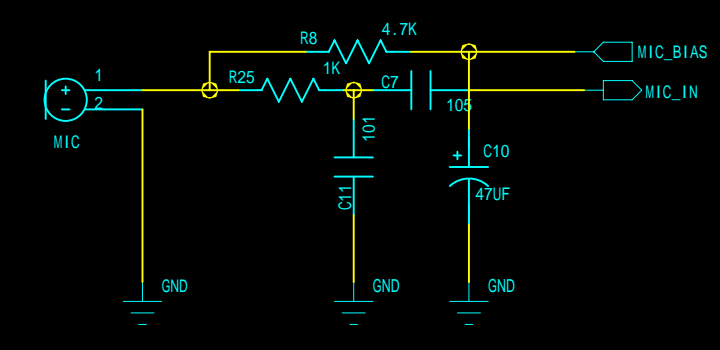
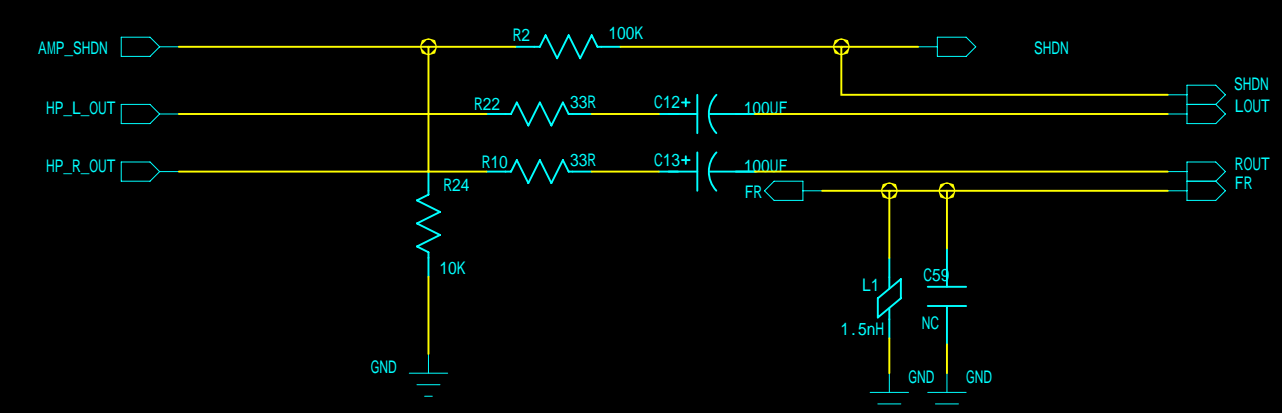
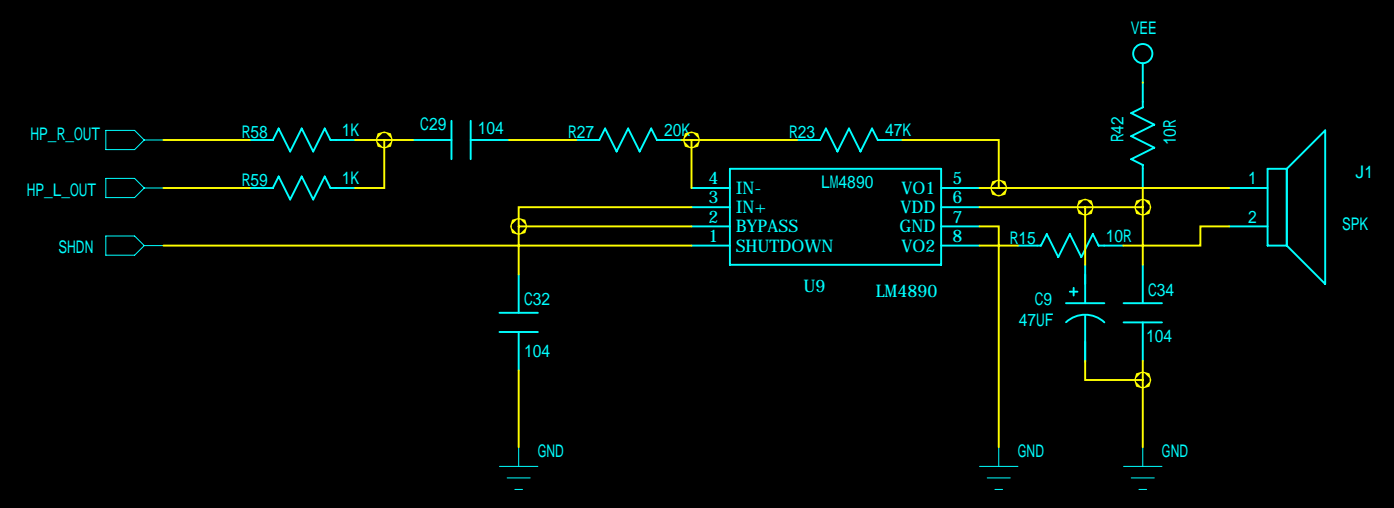
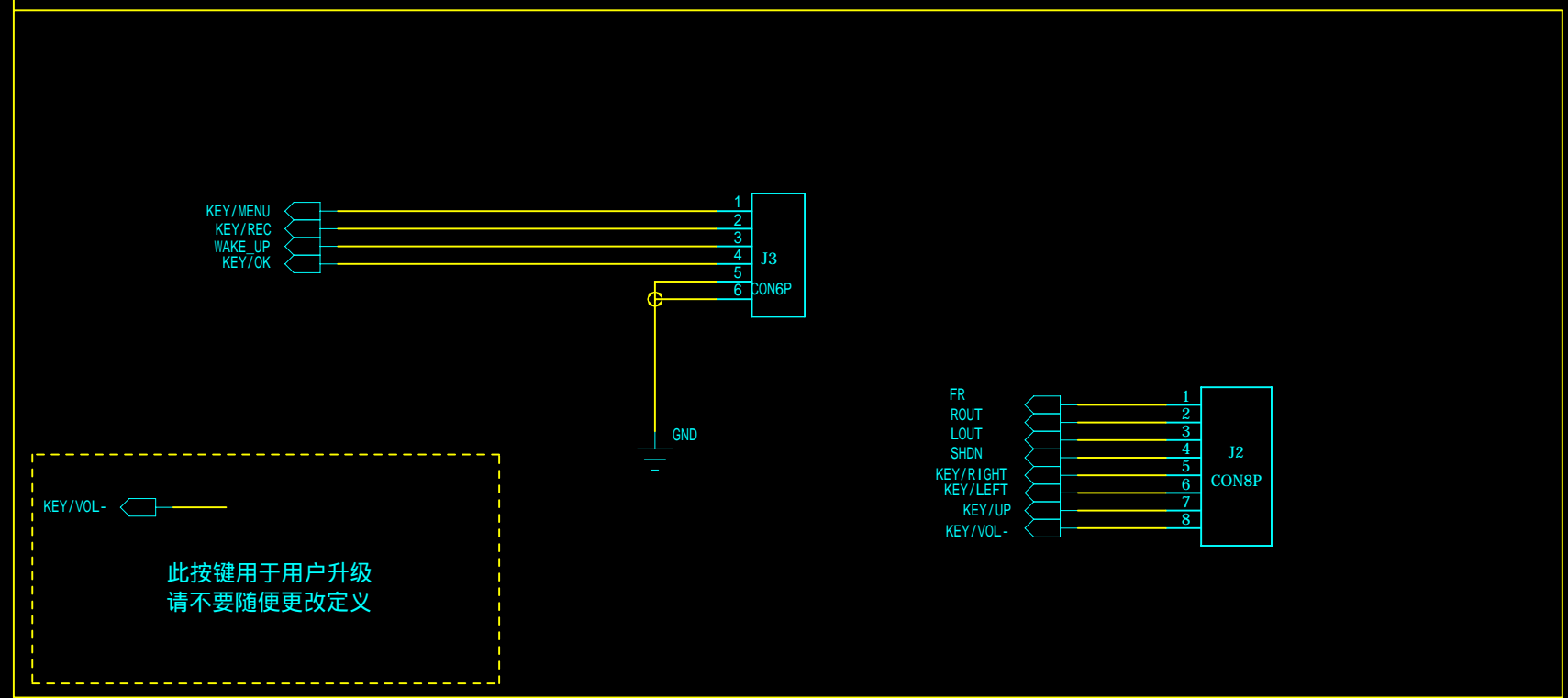




TITLE	华芯飞 ( www.chinachip.cn ) H200		
DESIGN		CHECKED	
STANDARD		APPROVED	
DATA	2007.10.27	PAGE	



电源部分



开关机部分

TITLE	华芯飞 ( www.chinachip.cn ) H200		
DESIGN		CHECKED	
STANDARD		APPROVED	
DATA	2007.10.27	PAGE	

