
USB2.0 Host / device controller

- USB2.0 Host HS/FS/LS modes support
- USB2.0 Device HS/FS modes support
- Single Port for Host/device

■ Descriptions

The S1R72V17 is a USB Host/device controller LSI that supports the USB2.0-compliant High/Full speed modes. This product has single port for host/device.

■ Features

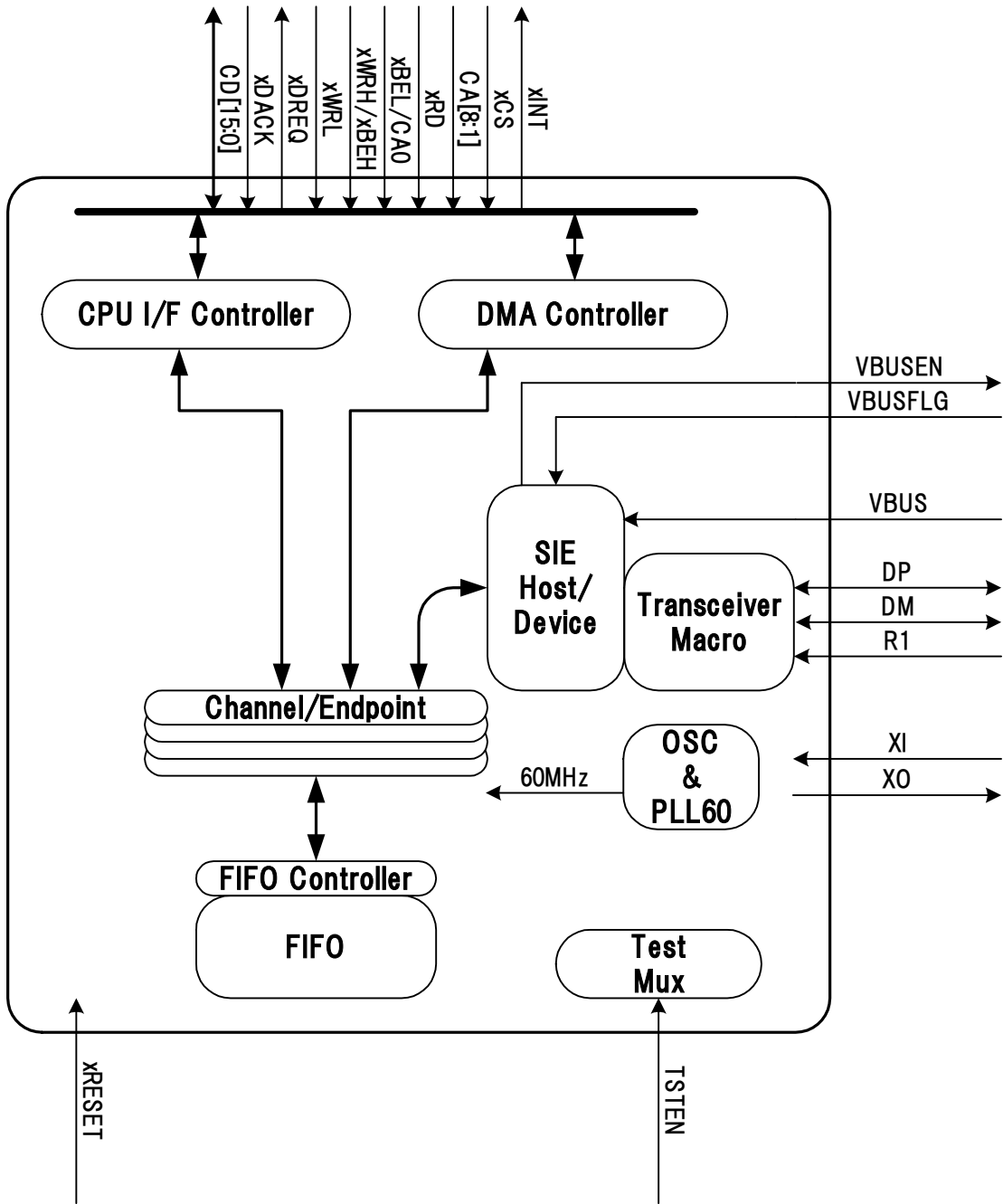
- Host/Device Single Port
 - Build in both Host/Device functions and realize the connection between Equipments. (*1)
- Smart Host Concept
 - Suitable to host function expansion portable AV & stationary AV.
- Lower power consumption
 - Low power is made possible by our 0.18um process technology and power management.

■ List of specification

- USB
 - USB Host : HS(480Mbps), FS(12Mbps), LS(1.5Mbps)
 - USB Device : HS(480Mbps), FS(12Mbps)
 - Built-in HS/FS termination
 - Built-in Host termination
 - Built-in FIFO for Channel/Endpoint
- CPU I/F
 - 16bit/8bit
 - DMA 1 ch (Multi-word)
 - I/F voltage : 3.3V or 1.8V
- Others
 - Built-in Oscillator circuit and feedback resistance (fosc=12/24MHz crystal oscillator)
 - Supply voltage
USB: 3.3V, Internal: 1.8V, CPU Bus: 3.3V or 1.8V
 - Package (now consideration)
 - ◇ BGA (5mm□ or 6mm□, 0.5mm pitch)
 - ◇ QFP
 - Operating temperature range: -40°C~85°C

(*1)Non-support for OTG.

SEIKO EPSON CORPORATION



Block diagram